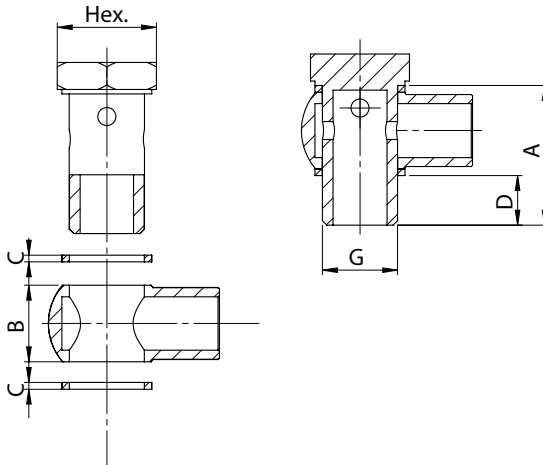


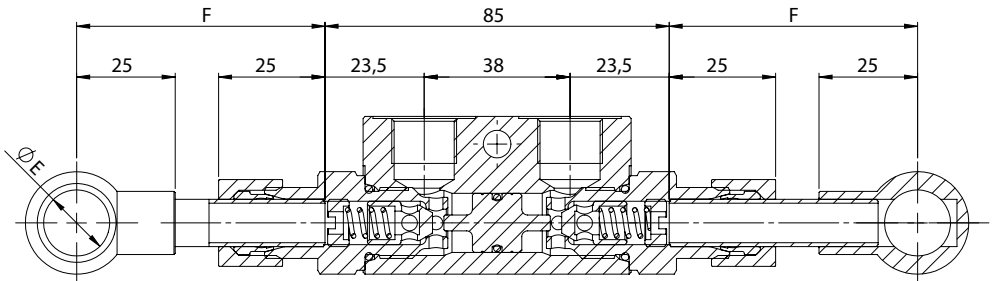
TECHNICAL DATA

- **Max working pressure:** 350 bar
- **Materials:** Steel zinc plated



PORTS

G	1/4	3/8
DIMENSIONS		
A	28	31
B	15	17
C	1,5	1,5
D	10	11
E	13,2	16,75
Hex.	19	22
F	38	
	52	
	56	
	75	
	100	
	150	
	200	
300		
400		
500		



ORDERING CODE

Contact our sales department