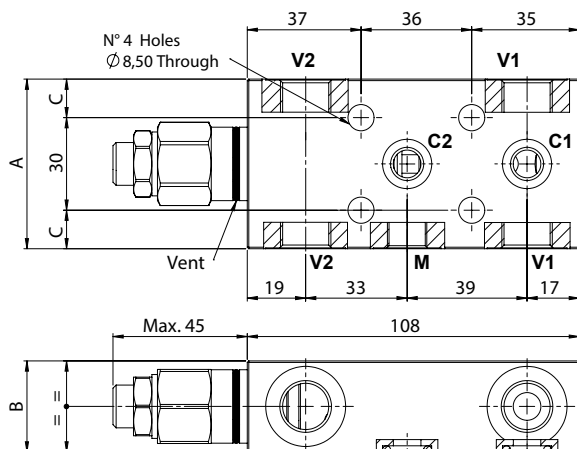
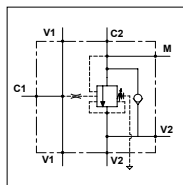


### WOSFC 60 - 2F PP

#### TECHNICAL DATA

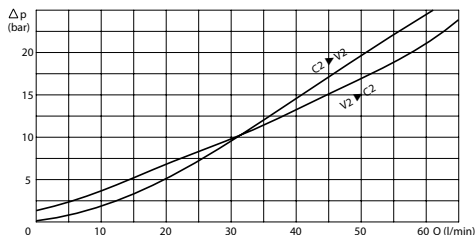
- Flow:** 60 l/min
- Max setting pressure:** 350 bar
- Materials:** Steel Body
- Pilot ratio:** 4:1 (if request 1:1; 8:1; 11:1)
- Weight:** See Table

- Note:** - Pressure setting must be 30 % higher that pressure induced by the load.
- Recommended for use with closed center spools.



PORTS		
V1 - V2	3/8	1/2
C1 - C2	ø9	
M	1/4	
DIMENSIONS		
A	55	65
B	29,5	34,5
C	12,5	17,5
Weight (kg)	1,250	1,670

#### PRESSURE DROP CURVES



#### SPRINGS

Code	20			35		
	Adjustable pressure range bar	Pressure increase bar/turn	Standard setting bar	Adjustable pressure range bar	Pressure increase bar/turn	Standard setting bar
1:1	10-70	15	10	30-200	25	30
4:1	60-210	70	170	80-350	120	280
8:1	60-220	50		100-350	85	
11:1	60-250	90		80-350	150	

#### ORDERING CODE

WOSFC

60

2F

PP

**Ports Size:**

- 3/8
- 1/2

**Springs:**

- 20
- 35

**Pilot Ratio:**

- Omit if 4:1
- 1 = 1:1
- 8 = 8:1
- 11 = 11:1

**Adjustment if Required:**

- Omit if not required
- Value