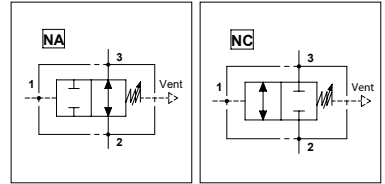
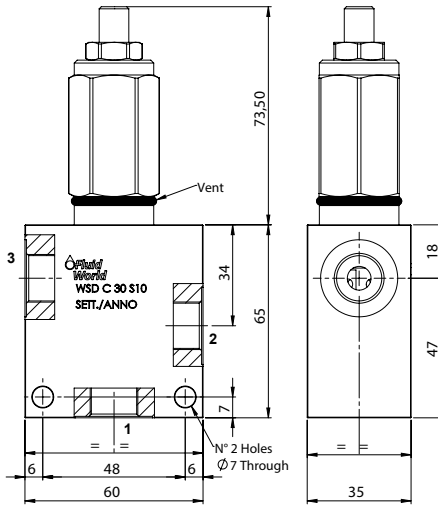


## WSD C 30 S10

### TECHNICAL DATA

- **Flow:** 30 l/min
- **Max setting pressure:** 120 bar
- **Max working pressure:** 250 bar (350 bar)
- **Materials:** Aluminium Body (Steel body if required)
- **Version:** Direct Acting, fully compensated
- **Weight:** 0,650 kg (1,200 kg)



### PORTS

P - T - R	3/8	1/2
-----------	-----	-----

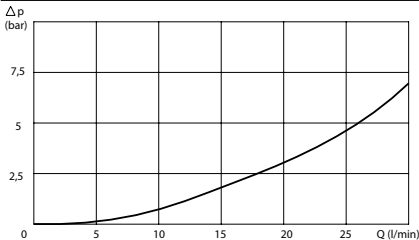
### REGULATOR

(S) Screw	
(V) Handknob	

### SPRINGS

Code	Adjustable pressure range bar	Standard setting bar
02	5-50	15
06	20-85	30
12	50-120	60

### PRESSURE DROP CURVES



### ORDERING CODE



- |                        |                    |                       |                           |                 |                                |
|------------------------|--------------------|-----------------------|---------------------------|-----------------|--------------------------------|
| <b>Type of Scheme:</b> | <b>Ports Size:</b> | <b>Material Body:</b> | <b>Type of Regulator:</b> | <b>Springs:</b> | <b>Adjustment if Required:</b> |
| - NA = Open            | - 3/8              | - Omit if aluminium   | - S = Screw               | - 02            | - Omit if not required         |
| - NC = Close           | - 1/2              | - S = Steel           | - V = Handknob            | - 06            | - Value                        |
|                        |                    |                       |                           | - 12            |                                |