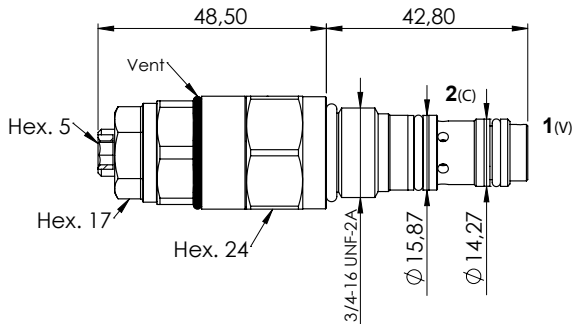
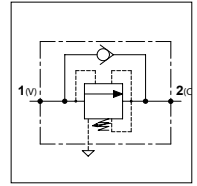


## WSD C 30 CC S08

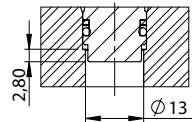
### TECHNICAL DATA

- **Flow:** 30 l/min
- **Max working pressure:** 350 bar
- **Materials:** Cartridge in Steel zinc plated
- **Version:** Poppet Type - Direct Acting
- **Cavity:** See table
- **Installation torque:** 30-35 Nm
- **Weight:** 0,150 kg

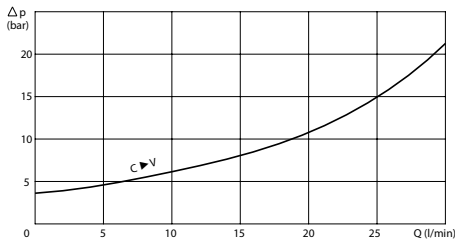


### CAVITY

FW3403001 with the addition of a minimum hole of  $\varnothing 13$  to house the valve nose.



### PRESSURE DROP CURVES



### SPRINGS

Code	Adjustable pressure range bar	Pressure increase bar/turn	Standard setting bar
20	50-210	50	170
35	80-350	70	280

### ORDERING CODE

WSD

C

30

CC

S08

**Springs:**

- 20
- 35

**Adjustment if Required:**

- Omit if not required
- Value

