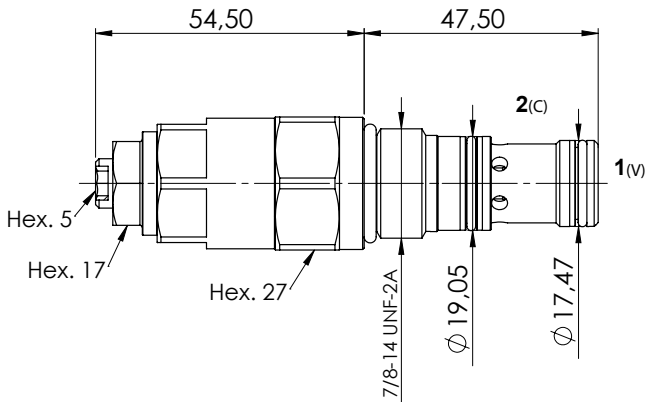
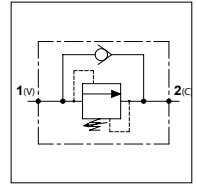


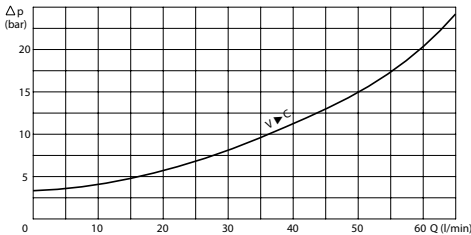
## WSD C 60 S10

### TECHNICAL DATA

- **Flow:** 60 l/min
- **Max working pressure:** 350 bar
- **Materials:** Cartridge in Steel zinc plated
- **Version:** Poppet Type - Direct Acting
- **Cavity:** FW7803001
- **Installation torque:** 40-45 Nm
- **Weight:** 0,250 kg



### PRESSURE DROP CURVES



### SPRINGS

Code	Adjustable pressure range bar	Pressure increase bar/turn	Standard setting bar
20	60-210	50	170
35	100-350	70	280

### ORDERING CODE

WSD

C

60

S10

**Springs:**

- 20
- 35

**Adjustment if Required:**

- Omit if not required
- Value