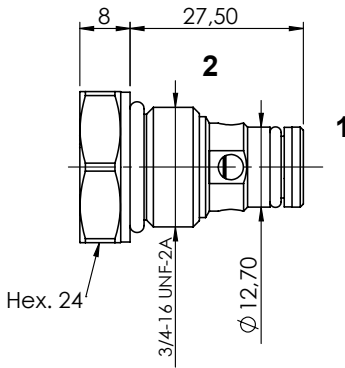
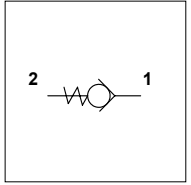


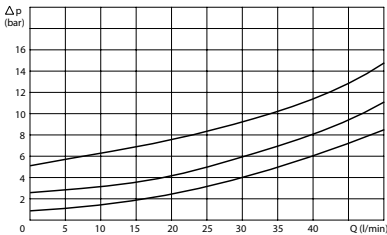
# WUC C 50

## TECHNICAL DATA

- **Flow:** 50 l/min
- **Max working pressure:** 350 bar
- **Materials:** Cartridge in Steel zinc plated
- **Version:** Poppet Type - Direct Acting
- **Cavity:** FW3402000
- **Installation torque:** 30-35 Nm
- **Weight:** 0,060 kg



## PRESSURE DROP CURVES



## SPRINGS

Code	Cracking pressure bar
Standard	1
<b>2,5</b>	2,5
<b>5</b>	5

## ORDERING CODE

WUC

C

50



### Opening Pressure:

- Omit if 1 bar
- 2,5 = 2,5 bar
- 5 = 5 bar

